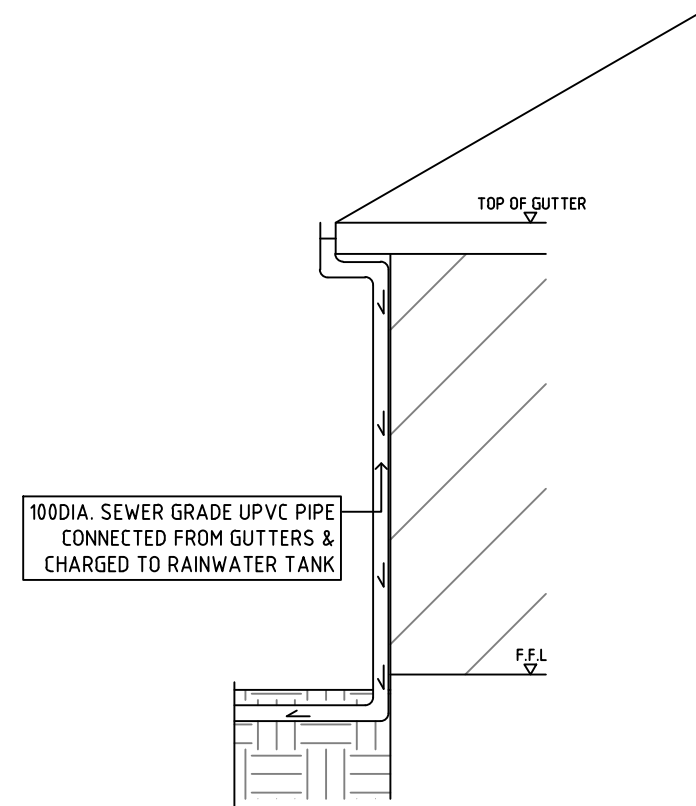


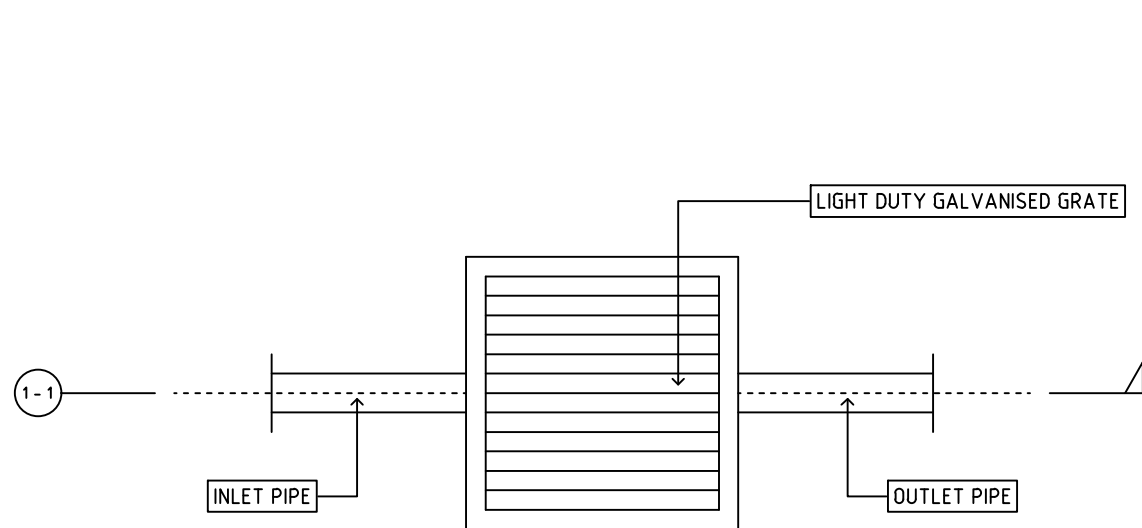
RAINWATER TANK CROSS SECTION

1:50



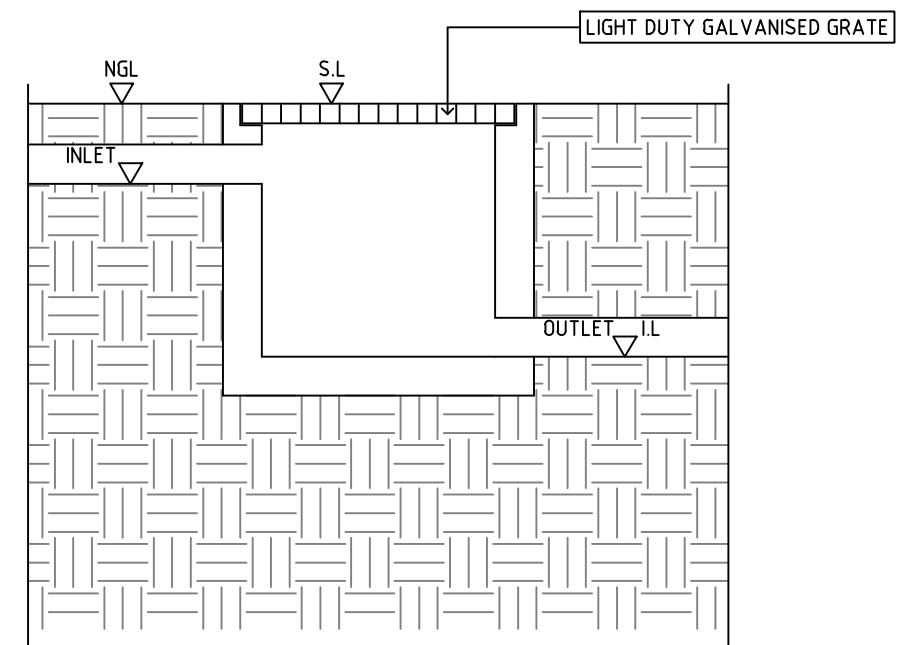
TYPICAL DOWNPIPE CROSS-SECTION

NTS



TYPICAL PIT PLAN VIEW

NTS



TYPICAL PIT SECTION 1 - 1

NTS

1. THIS DRAWING IS THE PROPERTY OF 'ASPIRE DESIGN & ENGINEERING'. IT MAY NOT BE REPRODUCED IN WHOLE OR PART OR TAKE ADVANTAGE OF THE DRAWINGS WITHOUT THE EXPRESS PERMISSION OF THE COPYRIGHT HOLDERS.

2. THIS DRAWING IS TO BE READ IN CONJUNCTION WITH ALL RELEVANT ARCHITECT'S, SERVICE ENGINEER'S AND RELEVANT SPECIFICATIONS.

LGAs: Bankstown-Canterbury

DESCRIPTION: Dual Occupancy



ASPIRE DESIGN & ENGINEERING
 ARCHITECTURAL | CONSULTANT | ENGINEERING
 329/462 Chapel Rd.
 Bankstown 2200

REV:	DESCRIPTION:	DATE:
A	Issue For CC App.	17/11/2020
B	Amendment 1	20/05/2021

SUBJECT SITE: 192 Wangee Road, Greenacre

DRAWING TITLE: Stormwater Details

SCALE/SHEET SIZE: NTS A3 SHEET NO.: D02